

# نم الة

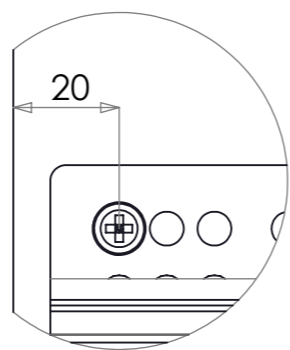
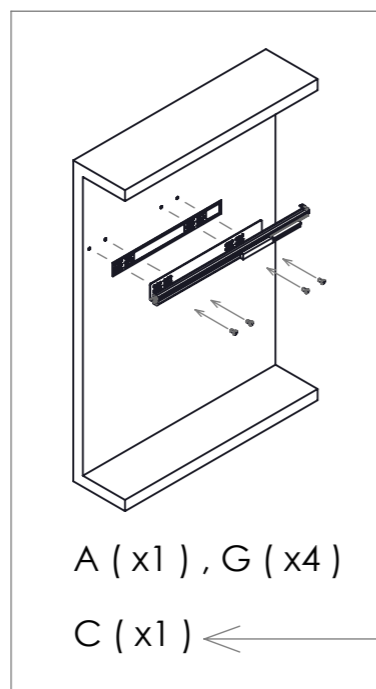
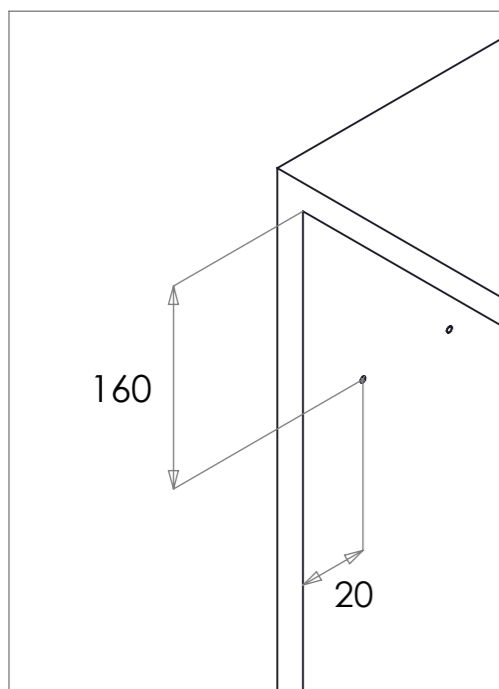
1 9 5 4

## BLOCK U - TOP 2.0

Components			
<p>A (x1) B (x1)</p>	<p>C (x2)</p>	<p>D (x1) E (x1)</p>	
<p>F (x1)</p>		<p>G (x8)</p>	



1



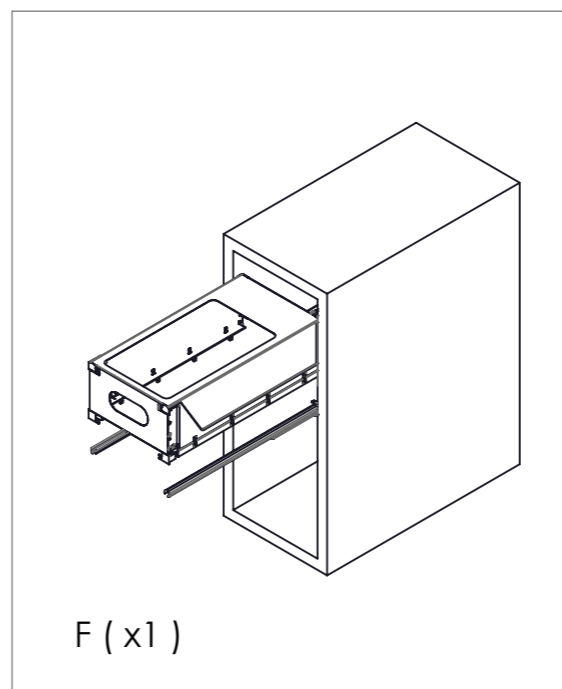
Repeat for the right side  
B (x1), G (x4), C (x1)

A (x1), G (x4)

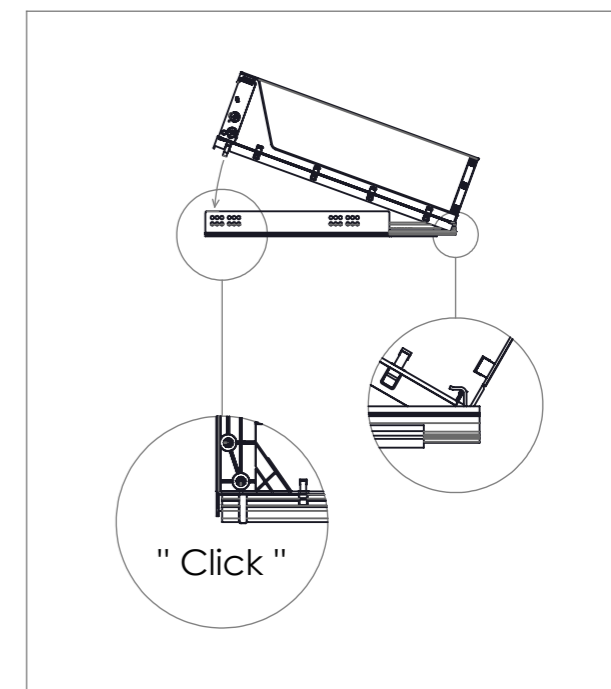
C (x1)

Only for 16 mm  
side panel thickness

2

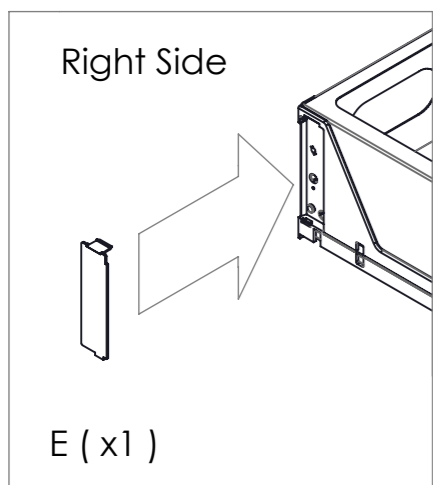


F (x1)



"Click"

3



Right Side

E (x1)

Repeat for the  
Left Side

D (x1)

Drilling Template Slider ( R )

P470



R

P420



R

P350



R

20